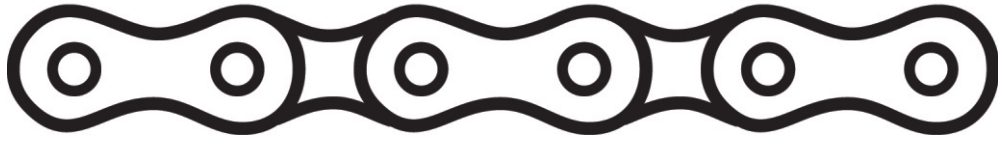


PTPARTS



POWER TRANSMISSION PARTS

Spare parts in-stock when you need them

V-Belts & Pulleys



www.ptparts.com.au

PTPARTS



INDEX

VEE PULLEY & BELT DRIVES	Page 3 - 4
‘SPA’ SECTION VEE BELTS.....	Page 5
‘SPB’ SECTION VEE BELTS.....	Page 6
‘SPC’ SECTION VEE BELTS.....	Page 7
‘SPZ’ SECTION VEE BELTS.....	Page 8
‘A’ SECTION VEE BELTS.....	Page 9
‘B’ SECTION VEE BELTS.....	Page 10
‘C’ & ‘D’ SECTION VEE BELTS.....	Page 11
‘Z’ SECTION VEE BELTS.....	Page 12
SPA TAPER BORE VEE PULLEYS.....	Page 13 - 15
SPB TAPER BORE VEE PULLEYS.....	Page 16 - 19
SPC TAPER BORE VEE PULLEYS.....	Page 20 - 22
SPZ TAPER BORE VEE PULLEYS.....	Page 23 - 24
OPEN END VEE BELTING.....	Page 25
RED-GO HOLLOW ROUND BELTING.....	Page 25

All dimensions in mm unless otherwise stated

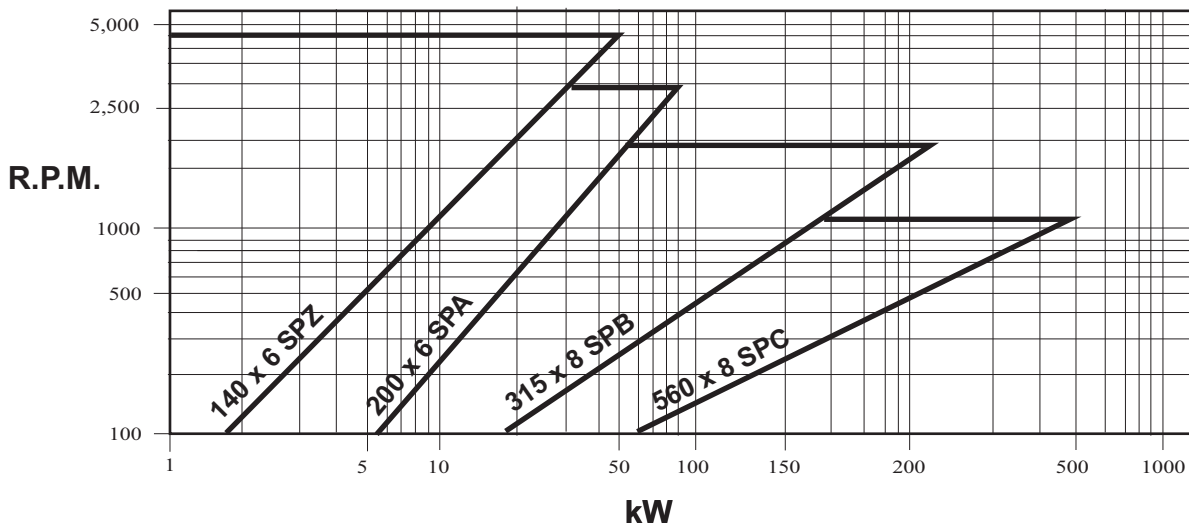
All descriptions and dimensions as published are believed to be correct, but subject to the possibility of printing errors. The right is reserved by us or our suppliers to alter or modify dimensions or designs without notice.



V- Pulleys & Belt Drives



The Standard Vee Belt drives have been around for more than 50 years. It is used in machines through out industry and is one of the most recognised belt drives ever made. The SPA, SPB, SPC & SPZ series are the new and improved version of Vee Belt drives. It is capable of greater power than the standard A, B, C & D section thus giving you a more compact drive. For further information or help in selecting a drive contact P.T. Parts.



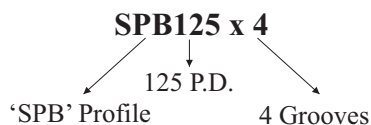
Identifying a Vee Pulley

To identify a Vee Pulley the following information must be known:

Belt Profile: This is worked out by measuring the cross section of the belt and referring to pages 5 to 12. Naismith Engineering stock the pulley profiles of 'SPZ', 'SPA', 'SPB', and 'SPC'.

Grooves: Number of Grooves

P.D.: The pitch diameter of the pulley

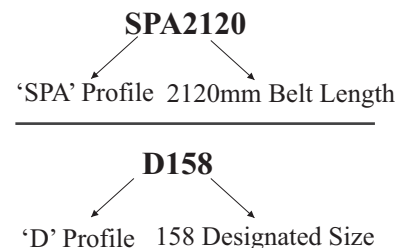


Identifying a Vee Belt

To identify a Vee Belt the following information must be known:

Belt Sizes: This is worked out by measuring the cross section of the belt and referring to pages 5 to 20. Naismith Engineering stock the belt profiles of 'SPZ', 'SPA', 'SPB', 'SPC', 'A', 'B', 'C', 'D' and 'Z'.

Pitch Length: The pitch length of the belt expressed in millimetres for 'SPZ', 'SPA', 'SPB' & 'SPC'. However 'A', 'B', 'C', 'D', and 'Z' are purely a size designation.



Optibelt V-Belts



Optibelt SK S=C PLUS*

The wrapped Optibelt SK wedge belt has been developed with mechanical engineering in mind. It transmits substantially more power than the classical V-belt with comparable top width, e.g. section SPB when compared to section B/17. The wrapped wedge belt has the famous Optibelt S=C PLUS* attributes with an efficiency of approx. 97% and is suitable for use in sets without additional measurement. The Optibelt SK high performance wedge belt is preferred for use in heavy mechanical engineering with very high load requirements, which can be over 2000 kW

Optibelt VB S=C PLUS *

Machine construction, Crushers, Compressors, Construction machinery, Blending systems, Agricultural machines, Combine harvesters, Choppers, Gardening equipment, Lawnmowers, due to its multitude of application possibilities, the Optibelt VB is the classical model amongst the drive belts. The qualities of this product come into their own when dealing with difficult drives in agricultural machines just as well as when dealing with extraordinary drive solutions, for example with V-flat drives in machine construction. Optibelt VB classical V-belts are S=C PLUS* and therefore unmeasured and can be used in sets.

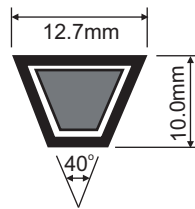
Optibelt Super X-POWER M=S*

Consistent further development of the production process, improved materials, low stretch polyester cords and optimised moulded cogs are the basis for this new belt generation. Optibelt Super X-POWER M=S* allow complex drive solutions in the whole area of machine construction under the most difficult conditions and extreme operational demands.

*S=C Plus & M=S means that the belt can be used in Matched set without further measurement



'SPA' & 'XPA' Section V-Belts



SPA- SK

Stock No.	Stock No.	Stock No.
SPA-732	SPA1457	SPA2240
SPA-757	SPA1482	SPA2282
SPA-782	SPA1500	SPA2300
SPA-800	SPA1507 *	SPA2307
SPA-807 *	SPA1532	SPA2332
SPA-832	SPA1550 *	SPA2360
SPA-850	SPA1557	SPA2382
SPA-857 *	SPA1582	SPA2432
SPA-882	SPA1600	SPA2450 *
SPA-900	SPA1607 *	SPA2482
SPA-907 *	SPA1632	SPA2500
SPA-932 *	SPA1650	SPA2532
SPA-950	SPA1657	SPA2582
SPA-957	SPA1682	SPA2607
SPA-967 *	SPA1700	SPA2632
SPA-982	SPA1707 *	SPA2650
SPA1000	SPA1732	SPA2682
SPA1007 *	SPA1750	SPA2732
SPA1032	SPA1757	SPA2782
SPA1060	SPA1782	SPA2800
SPA1082	SPA1800	SPA2832
SPA1107	SPA1807 *	SPA2847
SPA1120	SPA1832	SPA2882
SPA1132	SPA1857	SPA2932
SPA1157	SPA1882	SPA2982 *
SPA1180	SPA1900	SPA3000
SPA1207	SPA1907	SPA3032
SPA1232	SPA1932	SPA3082
SPA1250	SPA1950 *	SPA3150
SPA1257	SPA1957	SPA3182
SPA1272 *	SPA1982	SPA3282 *
SPA1282	SPA2000	SPA3350
SPA1307	SPA2032	SPA3382
SPA1320	SPA2057	SPA3450 *
SPA1332	SPA2082	SPA3550
SPA1357	SPA2120	SPA3750
SPA1382	SPA2132	SPA4000
SPA1400	SPA2182	SPA4250
SPA1407	SPA2207	SPA4500 *
SPA1432	SPA2232 *	

XPA

Stock No.	Stock No.	Stock No.
XPA-707 *	XPA1180	XPA1650
XPA-732 *	XPA1207	XPA1682
XPA-757	XPA1232	XPA1700
XPA-782	XPA1250	XPA1732 *
XPA-800	XPA1257	XPA1750
XPA-807 *	XPA1272 *	XPA1757
XPA-832	XPA1282	XPA1850
XPA-850	XPA1307	XPA1882 *
XPA-857 *	XPA1320	XPA1900
XPA-882	XPA1332	XPA1932 *
XPA-900	XPA1357	XPA1950 *
XPA-907	XPA1382 *	XPA1982 *
XPA-932	XPA1400	XPA2000
XPA-950	XPA1432	XPA2057 *
XPA-957	XPA1450	XPA2120
XPA-982	XPA1457	XPA2240
XPA1000	XPA1482	XPA2360
XPA1007 *	XPA1500	XPA2500
XPA1030	XPA1507	XPA2650
XPA1060	XPA1532	XPA2800
XPA1082	XPA1557	XPA3000 *
XPA1107 *	XPA1582	XPA3150 *
XPA1120	XPA1600	XPA3350
XPA1132	XPA1607 *	XPA3550
XPA1157	XPA1632	

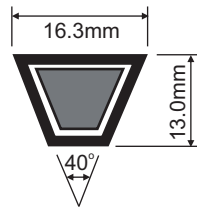
* Sizes available on request

* Sizes available on request

SK Belts in the range SPA1180 - SPA4500 are S = C Plus (Set Constant)



'SPB' & 'XPB' Section V-Belts



SPB- SK

Stock No.	Stock No.	Stock No.
SPB1250	SPB2360	SPB3550
SPB1260 *	SPB2391 *	SPB3650
SPB1320	SPB2400	SPB3750
SPB1400	SPB2410	SPB3800
SPB1410 *	SPB2430 *	SPB3870
SPB1430 *	SPB2450 *	SPB4000
SPB1450 *	SPB2500	SPB4050 *
SPB1500	SPB2530	SPB4060 *
SPB1540 *	SPB2580	SPB4120 *
SPB1550	SPB2610 *	SPB4250
SPB1600	SPB2650	SPB4300 *
SPB1650 *	SPB2680	SPB4310
SPB1680 *	SPB2720 *	SPB4370 *
SPB1700	SPB2800	SPB4500
SPB1750	SPB2840	SPB4560
SPB1800	SPB2850	SPB4750
SPB1850	SPB2900	SPB4820
SPB1900	SPB2950	SPB5000
SPB1950	SPB3000	SPB5070 *
SPB2000	SPB3050 *	SPB5300
SPB2020	SPB3070 *	SPB5380 *
SPB2060	SPB3150	SPB5600 *
SPB2120	SPB3170	SPB6000
SPB2150	SPB3200 *	SPB6300 *
SPB2180	SPB3250	SPB6700 *
SPB2240	SPB3320 *	SPB7100
SPB2280	SPB3350	SPB7500 *
SPB2300 *	SPB3450	SPB8000 *

XPB

Stock No.	Stock No.
XPB1250	XPB2120
XPB1320 *	XPB2150
XPB1400	XPB2240
XPB1450 *	XPB2280
XPB1500	XPB2360
XPB1600	XPB2400
XPB1650 *	XPB2500
XPB1700	XPB2650
XPB1750	XPB2680 *
XPB1800	XPB2800
XPB1850	XPB2840
XPB1900	XPB3000
XPB2000	XPB3150
XPB2020	XPB3350
XPB2040 *	XPB3550

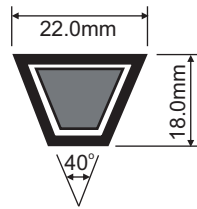
* Sizes available on request

* Sizes available on request

SK Belts in the range SPB1250 - SPB8000 are S = C Plus (Set Constant)



'SPC' & 'XPC' Section V-Belts



SPC- SK

Stock No.	Stock No.
SPC-2000 *	SPC-4750
SPC-2120	SPC-5000 *
SPC-2240	SPC-5300 *
SPC-2360	SPC-5600
SPC-2500	SPC-6000
SPC-2650	SPC-6300
SPC-2800	SPC-6500 *
SPC-2900 *	SPC-6700
SPC-3000	SPC-7100
SPC-3150	SPC-7500 *
SPC-3350	SPC-7800 *
SPC-3500 *	SPC-8000
SPC-3550	SPC-8500 *
SPC-3750	SPC-9000
SPC-4000	SPC-9500 *
SPC-4100 *	SPC10000 *
SPC-4250	SPC10600
SPC-4400	SPC11200 *
SPC-4500	SPC12500 *

* Sizes available on request

SK Belts in the range SPC2000 - SPC10000 are S = C Plus (Set Constant)

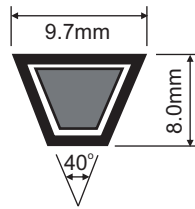
XPC

Stock No.
XPC-2000
XPC-2120
XPC-2240 *
XPC-2360 *
XPC-2500 *
XPC-2650
XPC-2800
XPC-3000
XPC-3150
XPC-3350
XPC-3550

* Sizes available on request



'SPZ' & 'XPZ' Section V-Belts



SPZ-SK

Stock No.	Stock No.	Stock No.
SPZ-487 *	SPZ1077	SPZ1662
SPZ-512	SPZ1087	SPZ1687
SPZ-562	SPZ1112	SPZ1700
SPZ-587	SPZ1120	SPZ1737 *
SPZ-612	SPZ1137	SPZ1750 *
SPZ-630	SPZ1162	SPZ1762 *
SPZ-637 *	SPZ1180	SPZ1787
SPZ-662	SPZ1187	SPZ1800
SPZ-670	SPZ1202	SPZ1812
SPZ-687	SPZ1212	SPZ1837
SPZ-710	SPZ1237	SPZ1850 *
SPZ-722	SPZ1250	SPZ1862
SPZ-737	SPZ1262	SPZ1887
SPZ-750	SPZ1270 *	SPZ1900
SPZ-762	SPZ1287	SPZ1937
SPZ-772	SPZ1312	SPZ1950 *
SPZ-787	SPZ1320	SPZ1987
SPZ-800	SPZ1337	SPZ2000
SPZ-812 *	SPZ1347	SPZ2037
SPZ-825	SPZ1362	SPZ2062 *
SPZ-837	SPZ1387	SPZ2087
SPZ-850	SPZ1400	SPZ2120
SPZ-862	SPZ1412	SPZ2137
SPZ-875 *	SPZ1420 *	SPZ2150 *
SPZ-887 *	SPZ1437	SPZ2187
SPZ-900	SPZ1450 *	SPZ2240
SPZ-912 *	SPZ1462	SPZ2287
SPZ-925	SPZ1487	SPZ2360 *
SPZ-937	SPZ1500	SPZ2500 *
SPZ-950	SPZ1512	SPZ2540 *
SPZ-962	SPZ1520 *	SPZ2650
SPZ-987	SPZ1537	SPZ2690 *
SPZ1000	SPZ1562	SPZ2800
SPZ1012	SPZ1587	SPZ2840 *
SPZ1024 *	SPZ1600	SPZ3000 *
SPZ1037	SPZ1612	SPZ3150
SPZ1047	SPZ1637	SPZ3350 *
SPZ1060	SPZ1650	SPZ3550 *

XPZ

Stock No.	Stock No.	Stock No.
XPZ-587	XPZ1000	XPZ1512 *
XPZ-612	XPZ1012	XPZ1537
XPZ-630	XPZ1037	XPZ1562
XPZ-637	XPZ1060	XPZ1587
XPZ-662	XPZ1077	XPZ1600
XPZ-670 *	XPZ1087	XPZ1612
XPZ-687	XPZ1112	XPZ1662
XPZ-710	XPZ1120	XPZ1700
XPZ-730 *	XPZ1137	XPZ1750 *
XPZ-737 *	XPZ1162	XPZ1762 *
XPZ-750	XPZ1180	XPZ1800
XPZ-762	XPZ1187 *	XPZ1850
XPZ-772 *	XPZ1202	XPZ1900
XPZ-787	XPZ1212	XPZ1950
XPZ-800	XPZ1237 *	XPZ2000
XPZ-812	XPZ1250	XPZ2120 *
XPZ-825	XPZ1262	XPZ2150 *
XPZ-837	XPZ1287	XPZ2240
XPZ-850	XPZ1312	XPZ2360
XPZ-862	XPZ1320	XPZ2500
XPZ-875	XPZ1337	XPZ2540
XPZ-887	XPZ1362	XPZ2650
XPZ-900	XPZ1387 *	XPZ2690 *
XPZ-912	XPZ1400 *	XPZ2800 *
XPZ-925	XPZ1412 *	XPZ2840 *
XPZ-937	XPZ1437 *	XPZ3000 *
XPZ-950	XPZ1462 *	XPZ3150 *
XPZ-962	XPZ1487 *	XPZ3350 *
XPZ-987	XPZ1500	XPZ3550 *

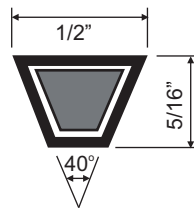
* Sizes available on request

* Sizes available on request

SK Belts in the range SPZ1162 - SPZ3550 are S = C Plus (Set Constant)



'A' Section V-Belts



A - VB

Stock No.	Inside Length
A-16	407.0
A-18 *	457.0
A-19 *	480.0
A-20 *	508.0
A-21 *	535.0
A-22	560.0
A-23	575.0
A-23.5 *	600.0
A-24	610.0
A-25	630.0
A-26	650.0
A-26.5 *	670.0
A-27	686.0
A-27.5	700.0
A-28	710.0
A-29	730.0
A-29.5 *	750.0
A-30	767.0
A-31	775.0
A-31.5 *	800.0
A-32	813.0
A-32.5 *	825.0
A-33	841.0
A-34	850.0
A-34.5 *	875.0
A-35	889.0
A-35.5 *	900.0
A-36	914.0
A-37	925.0
A-37.5 *	950.0
A-38	965.0
A-38.5 *	975.0

A - VB

Stock No.	Inside Length
A-39	1000.0
A-40	1016.0
A-40.5 *	1030.0
A-41	1041.0
A-41.5 *	1050.0
A-42	1060.0
A-42.5 *	1075.0
A-43	1100.0
A-43.5 *	1105.0
A-44	1120.0
A-45	1143.0
A-45.5 *	1150.0
A-46	1168.0
A-46.5 *	1180.0
A-47	1200.0
A-47.5 *	1215.0
A-48	1220.0
A-48.5 *	1225.0
A-49	1250.0
A-50	1270.0
A-51	1300.0
A-52	1320.0
A-53	1350.0
A-54	1375.0
A-55	1400.0
A-56	1422.0
A-57	1450.0
A-58	1475.0
A-59 *	1500.0
A-60	1525.0
A-61	1550.0
A-62	1575.0

A - VB

Stock No.	Inside Length
A-63	1600.0
A-64	1625.0
A-65	1650.0
A-66	1676.0
A-67	1700.0
A-68	1725.0
A-69	1750.0
A-70	1775.0
A-71	1800.0
A-72	1825.0
A-73	1854.0
A-74	1880.0
A-75	1900.0
A-76	1930.0
A-77	1956.0
A-78	1980.0
A-79 *	2000.0
A-80	2032.0
A-81	2060.0
A-82	2083.0
A-83	2100.0
A-83.5 *	2120.0
A-84	2134.0
A-84.5 *	2150.0
A-85	2160.0
A-86 *	2185.0
A-86.5 *	2220.0
A-87	2210.0
A-88	2240.0
A-89 *	2261.0
A-90	2286.0
A-91 *	2311.0

A - VB

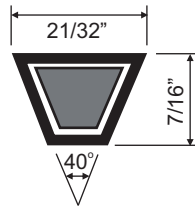
Stock No.	Inside Length
A-92	2337.0
A-93 *	2360.0
A-94	2388.0
A-95 *	2413.0
A-96	2438.0
A-97 *	2464.0
A-98	2500.0
A100	2540.0
A102 *	2591.0
A104 *	2650.0
A105 *	2667.0
A107 *	2725.0
A108 *	2743.0
A110 *	2800.0
A112 *	2845.0
A114	2896.0
A116	2946.0
A118 *	3000.0
A120 *	3048.0
A124 *	3150.0
A128 *	3250.0
A132 *	3350.0
A136	3454.0
A140	3550.0
A144 *	3658.0
A148	3750.0
A158 *	4000.0
A167	4250.0
A180	4572.0
A187 *	4750.0
A197	5000.0

* Sizes available on request

VB Belts in the range A - 46 to A197 are S = C Plus (Set Constant)



'B' Section V-Belts



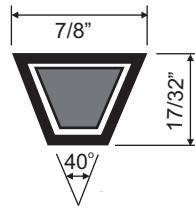
B - VB		B - VB		B - VB		B - VB	
Stock No.	Inside Length	Stock No.	Inside Length	Stock No.	Inside Length	Stock No.	Inside Length
B-23	570.0	B-52	1320.0	B-89	2261.0	B142 *	3600.0
B-24 *	615.0	B-52.5 *	1335.0	B-90	2286.0	B144	3658.0
B-25 *	630.0	B-53	1350.0	B-91	2300.0	B146	3700.0
B-26 *	650.0	B-53.5 *	1360.0	B-92	2337.0	B148	3750.0
B-26.5 *	670.0	B-54 *	1372.0	B-93 *	2360.0	B150 *	3810.0
B-27 *	686.0	B-55	1400.0	B-94	2388.0	B151 *	3850.0
B-28 *	710.0	B-56	1422.0	B-94.5 *	2400.0	B152	3861.0
B-29	725.0	B-57	1450.0	B-95	2413.0	B154 *	3912.0
B-30	750.0	B-58	1473.0	B-96	2438.0	B155 *	3950.0
B-31	775.0	B-59	1500.0	B-96.5 *	2450.0	B156 *	3962.0
B-32	800.0	B-60	1525.0	B-97	2465.0	B158	4000.0
B-32.5 *	825.0	B-61	1550.0	B-98 *	2500.0	B160	4064.0
B-33	836.0	B-62	1575.0	B-99	2515.0	B162	4115.0
B-34	850.0	B-63	1600.0	B100	2540.0	B165 *	4200.0
B-34.5 *	875.0	B-64	1625.0	B101 *	2565.0	B167	4250.0
B-35	889.0	B-65	1650.0	B102 *	2600.0	B173	4394.0
B-36	900.0	B-66	1676.0	B103	2616.0	B175	4450.0
B-37	925.0	B-67	1700.0	B104	2650.0	B177 *	4500.0
B-37.5 *	950.0	B-68	1725.0	B105	2667.0	B180 *	4572.0
B-38	965.0	B-69	1750.0	B106	2700.0	B187 *	4750.0
B-38.5 *	975.0	B-69.5 *	1761.0	B107 *	2718.0	B190 *	4826.0
B-39	1000.0	B-70	1775.0	B108	2750.0	B195 *	4953.0
B-40	1016.0	B-71	1800.0	B110	2800.0	B197 *	5000.0
B-40.5 *	1030.0	B-72	1829.0	B112	2845.0	B208 *	5300.0
B-41	1040.0	B-73	1850.0	B114	2900.0	B210	5334.0
B-41.5 *	1050.0	B-74	1880.0	B115	2921.0	B220	5600.0
B-42	1060.0	B-75	1900.0	B116	2950.0	B225 *	5715.0
B-42.5 *	1075.0	B-76	1930.0	B118 *	3000.0	B236 *	6000.0
B-43	1090.0	B-77	1950.0	B120	3048.0	B240	6096.0
B-43.25 *	1100.0	B-78	1981.0	B122	3099.0	B248 *	6300.0
B-44	1120.0	B-79	2000.0	B124	3150.0	B255 *	6477.0
B-45	1150.0	B-80	2032.0	B125 *	3175.0	B264 *	6700.0
B-45.5 *	1163.0	B-81	2060.0	B126 *	3200.0	B270 *	6858.0
B-46	1175.0	B-82	2083.0	B128	3250.0	B276 *	7000.0
B-46.5 *	1180.0	B-83 *	2100.0	B130	3302.0	B280 *	7100.0
B-47	1200.0	B-83.5 *	2120.0	B132	3350.0	B300 *	7620.0
B-48	1215.0	B-84	2134.0	B133 *	3378.0		
B-48.5 *	1225.0	B-85	2160.0	B134 *	3404.0		
B-49	1250.0	B-86	2200.0	B136	3450.0		
B-50	1275.0	B-87	2210.0	B138	3505.0		
B-51	1300.0	B-88 *	2240.0	B140 *	3550.0		

* Sizes available on request

VB Belts in the range B-46 to B300 are S = C Plus (Set Constant)



'C' Section V-Belts



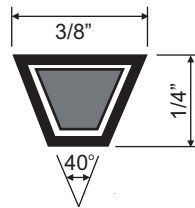
C - VB		C - VB		C - VB		C - VB	
Stock No.	Inside Length	Stock No.	Inside Length	Stock No.	Inside Length	Stock No.	Inside Length
C-43 *	1090.0	C-81 *	2060.0	C114	2896.0	C168	4267.0
C-47 *	1200.0	C-82 *	2083.0	C115 *	2921.0	C170 *	4318.0
C-48 *	1215.0	C-83	2108.0	C116	2950.0	C173 *	4394.0
C-49 *	1250.0	C-83.5 *	2120.0	C117	2965.0	C175 *	4445.0
C-51 *	1295.0	C-84 *	2134.0	C118 *	3000.0	C177 *	4500.0
C-52 *	1320.0	C-85 *	2159.0	C120	3048.0	C180	4572.0
C-53 *	1350.0	C-86	2184.0	C122 *	3099.0	C185 *	4699.0
C-54	1375.0	C-87	2210.0	C124	3150.0	C187 *	4750.0
C-55 *	1400.0	C-88 *	2240.0	C125	3175.0	C190 *	4826.0
C-56 *	1425.0	C-89	2261.0	C126 *	3200.0	C195	4953.0
C-57 *	1450.0	C-90	2286.0	C128	3250.0	C197 *	5000.0
C-58 *	1475.0	C-91 *	2311.0	C130 *	3302.0	C200 *	5080.0
C-59 *	1500.0	C-92	2337.0	C132 *	3350.0	C204 *	5182.0
C-60 *	1524.0	C-93	2360.0	C134 *	3404.0	C208 *	5300.0
C-61 *	1550.0	C-94 *	2388.0	C135 *	3429.0	C210	5334.0
C-62 *	1574.0	C-95	2413.0	C136 *	3450.0	C215 *	5461.0
C-63 *	1600.0	C-96	2438.0	C138	3505.0	C220 *	5600.0
C-65 *	1650.0	C-96.5 *	2450.0	C140	3550.0	C225	5715.0
C-66 *	1676.0	C-97	2464.0	C142 *	3607.0	C236 *	6000.0
C-67	1700.0	C-98 *	2500.0	C144	3658.0	C240	6096.0
C-68	1727.0	C-99	2525.0	C146	3700.0	C248	6300.0
C-69	1750.0	C100	2540.0	C148 *	3750.0	C255 *	6477.0
C-70	1778.0	C101 *	2560.0	C150 *	3810.0	C264 *	6700.0
C-71 *	1800.0	C102	2591.0	C152 *	3861.0	C270	6858.0
C-72 *	1829.0	C103 *	2616.0	C154 *	3912.0	C280 *	7100.0
C-73	1854.0	C104 *	2642.0	C156	3962.0	C285 *	7239.0
C-74 *	1880.0	C105	2667.0	C158	4000.0	C295 *	7500.0
C-75	1900.0	C106	2692.0	C160 *	4064.0	C300 *	7620.0
C-76 *	1930.0	C107 *	2718.0	C162 *	4100.0	C315 *	8000.0
C-77 *	1956.0	C108	2750.0	C163 *	4140.0	C330 *	8382.0
C-78 *	1981.0	C109 *	2769.0	C165 *	4191.0	C345 *	8763.0
C-79	2000.0	C110	2800.0	C166 *	4216.0	C360 *	9144.0
C-80	2032.0	C112	2845.0	C167	4250.0		

* Sizes available on request

VB Belts in the range C-47 to C360 are S = C Plus (Set Constant)



'Z' Section V-Belts



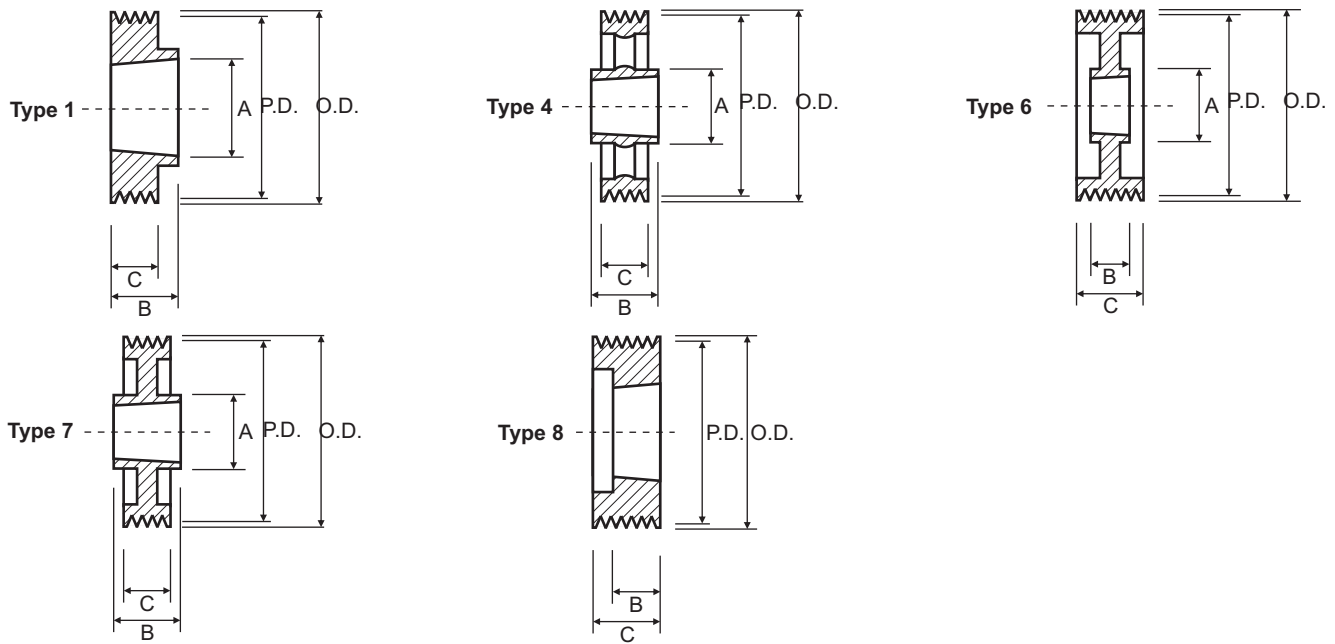
Z - VB		Z - VB		Z - VB	
Stock No.	Inside Length	Stock No.	Inside Length	Stock No.	Inside Length
Z11 *	290.0	Z33	825.0	Z54 *	1371.0
Z12.5 *	315.0	Z33.5 *	850.0	Z55 *	1400.0
Z14	375.0	Z34 *	865.0	Z56 *	1422.0
Z15 *	400.0	Z35 *	875.0	Z57 *	1450.0
Z16	425.0	Z36	900.0	Z58 *	1475.0
Z17 *	450.0	Z37 *	925.0	Z59 *	1500.0
Z18	475.0	Z38 *	950.0	Z60 *	1524.0
Z19 *	480.0	Z38.5 *	975.0	Z61 *	1550.0
Z19.75	500.0	Z39 *	1000.0	Z62 *	1575.0
Z20	515.0	Z40	1016.0	Z63 *	1600.0
Z20.5 *	525.0	Z40.5 *	1030.0	Z64 *	1626.0
Z21 *	530.0	Z41 *	1041.0	Z65 *	1651.0
Z21.25 *	540.0	Z41.5 *	1050.0	Z66 *	1675.0
Z22	560.0	Z42 *	1060.0	Z67 *	1700.0
Z23	575.0	Z43	1080.0	Z68 *	1725.0
Z24	600.0	Z43.25 *	1100.0	Z69 *	1750.0
Z25	630.0	Z44 *	1120.0	Z70 *	1775.0
Z26	650.0	Z45 *	1150.0	Z71 *	1800.0
Z27	670.0	Z46 *	1165.0	Z73 *	1850.0
Z27.5 *	700.0	Z46.5 *	1180.0	Z75	1900.0
Z28 *	710.0	Z47 *	1194.0	Z78 *	1975.0
Z28.5 *	725.0	Z48 *	1215.0	Z79 *	2000.0
Z29	730.0	Z48.5 *	1225.0	Z83.5 *	2120.0
Z29.5 *	750.0	Z49 *	1250.0	Z88 *	2240.0
Z30	765.0	Z50	1270.0	Z93 *	2360.0
Z31	775.0	Z51 *	1295.0	Z98 *	2500.0
Z31.5 *	800.0	Z52 *	1320.0		
Z32 *	820.0	Z53 *	1346.0		

* Sizes available on request

VB Belts in the range Z61 to Z98
are S = C Plus (Set Constant)



SPA Taper Bore V-Pulleys 1 & 2 Groove

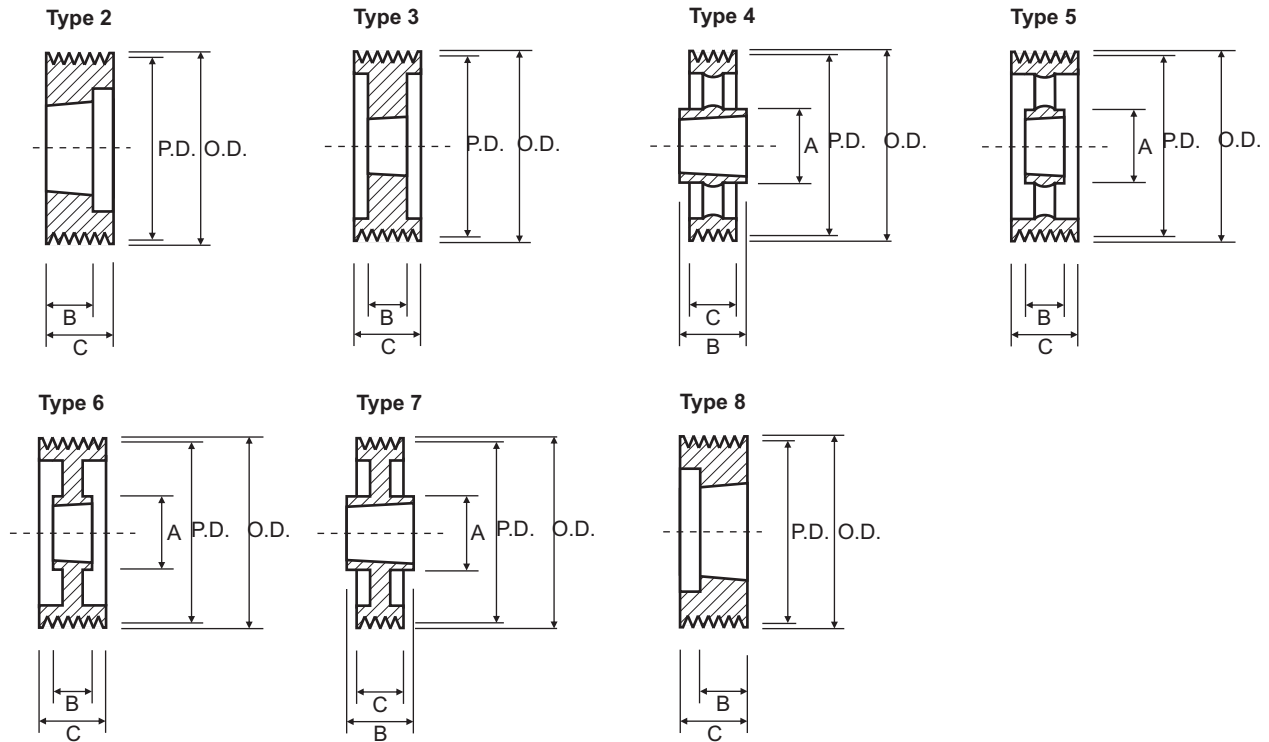


1 Groove						2 Groove					
Part No.	O.D.	Type	Bush	C = 20.0		Part No.	O.D.	Type	Bush	C = 35.0	
				A	B					A	B
SPA-63mm x 1	68.5	1	1008	55.0	22.2	SPA-63mm x 2	68.5	8	1008	-	22.2
SPA-67mm x 1	72.5	1	1008	57.0	22.2	SPA-67mm x 2	72.5	8	1108	-	22.2
SPA-71mm x 1	76.5	1	1108	60.0	22.2	SPA-71mm x 2	76.5	8	1108	-	22.2
SPA-75mm x 1	80.5	1	1108	60.0	22.2	SPA-75mm x 2	80.5	8	1108	-	22.2
SPA-80mm x 1	85.5	1	1210	75.0	25.0	SPA-80mm x 2	85.5	8	1210	-	25.0
SPA-85mm x 1	90.5	1	1210	80.0	25.0	SPA-85mm x 2	90.5	8	1210	-	25.0
SPA-90mm x 1	95.5	1	1210	80.0	25.0	SPA-90mm x 2	95.5	8	1610	-	25.0
SPA-95mm x 1	100.5	1	1210	85.0	25.0	SPA-95mm x 2	100.5	8	1610	-	25.0
SPA 100mm x 1	105.5	1	1610	85.0	25.0	SPA 100mm x 2	105.5	8	1610	-	25.0
SPA 106mm x 1	111.5	1	1610	92.0	25.0	SPA 106mm x 2	111.5	8	1610	-	25.0
SPA 112mm x 1	117.5	1	1610	92.0	25.0	SPA 112mm x 2	117.5	8	1610	-	25.0
SPA 118mm x 1	123.5	1	1610	92.0	25.0	SPA 118mm x 2	123.5	8	1610	-	25.0
SPA 125mm x 1	130.5	1	1610	92.0	25.0	SPA 125mm x 2	130.5	8	1610	-	25.0
SPA 132mm x 1	137.5	1	1610	92.0	25.0	SPA 132mm x 2	137.5	8	2012	-	32.0
SPA 140mm x 1	145.5	1	1610	92.0	25.0	SPA 140mm x 2	145.5	8	2012	-	32.0
SPA 150mm x 1	155.5	1	1610	92.0	25.0	SPA 150mm x 2	155.5	8	2012	-	32.0
SPA 160mm x 1	165.5	1	1610	92.0	25.0	SPA 160mm x 2	165.5	6	2012	108.0	32.0
SPA 170mm x 1	175.5	1	1610	92.0	25.0	SPA 170mm x 2	175.5	6	2012	108.0	32.0
SPA 180mm x 1	185.5	1	1610	92.0	25.0	SPA 180mm x 2	185.5	6	2012	108.0	32.0
SPA 190mm x 1	195.5	1	2012	92.0	25.0	SPA 190mm x 2	195.5	6	2012	108.0	32.0
SPA 200mm x 1	205.5	7	2012	108.0	32.0	SPA 200mm x 2	205.5	7	2517	124.0	45.0
SPA 224mm x 1	229.5	7	2012	112.0	32.0	SPA 224mm x 2	229.5	7	2517	124.0	45.0
SPA 236mm x 1	241.5	7	2012	112.0	32.0	SPA 236mm x 2	241.5	7	2517	124.0	45.0
SPA 250mm x 1	255.5	7	2012	112.0	32.0	SPA 250mm x 2	255.5	7	2517	124.0	45.0
SPA 280mm x 1	285.5	7	2012	112.0	32.0	SPA 280mm x 2	285.5	7	2517	124.0	45.0
SPA 315mm x 1	320.5	4	2012	112.0	32.0	SPA 315mm x 2	320.5	4	2517	124.0	45.0
SPA 355mm x 1	360.5	4	2012	112.0	32.0	SPA 355mm x 2	360.5	4	2517	124.0	45.0
SPA 400mm x 1	405.5	4	2012	112.0	32.0	SPA 400mm x 2	405.5	4	2517	124.0	45.0
SPA 500mm x 1	505.5	4	2517	124.0	45.0	SPA 500mm x 2	505.5	4	2517	124.0	45.0

P.D. = O.D. - 5.5mm



SPA Taper Bore V-Pulleys 3 & 4 Groove

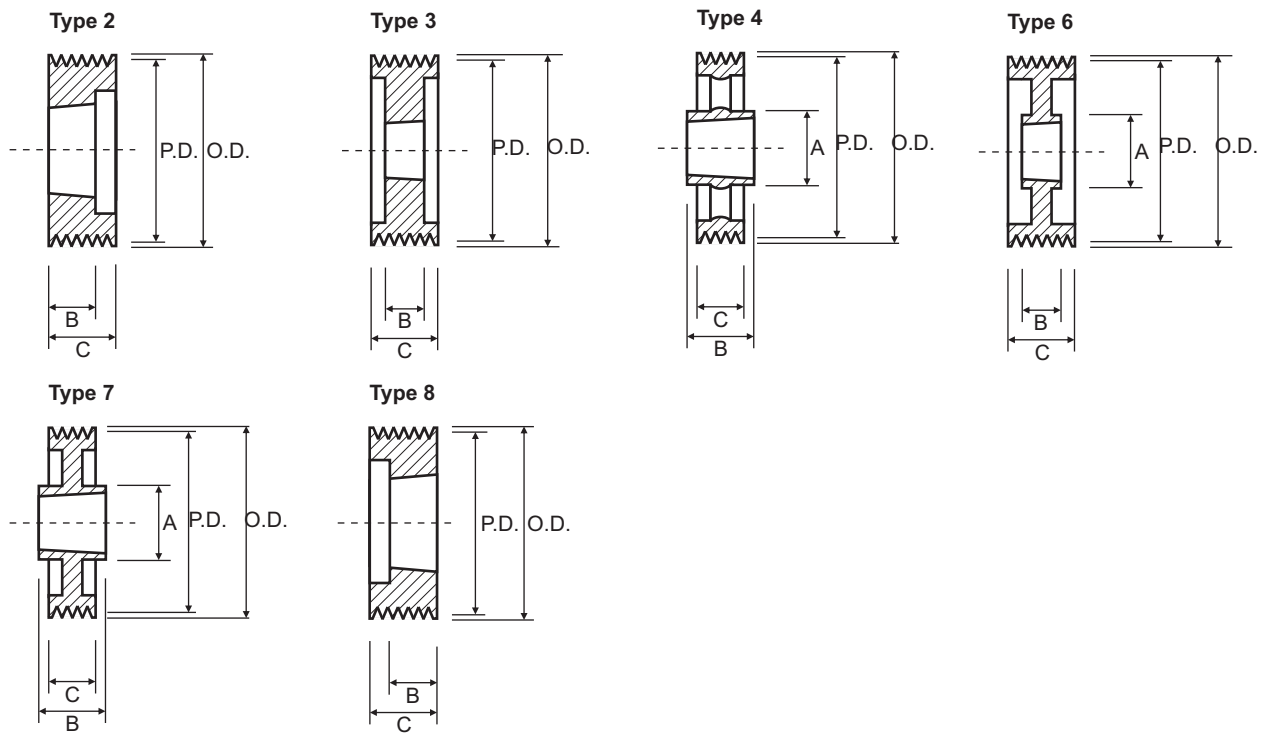


3 Groove						4 Groove					
Part No.	O.D.	Type	Bush	C = 50.0		Part No.	O.D.	Type	Bush	C = 65.0	
				A	B					A	B
SPA-71mm x 3	76.5	8	1108	-	22.2	SPA-90mm x 4	95.5	3	1615	-	38.0
SPA-75mm x 3	80.5	8	1108	-	22.2	SPA-95mm x 4	100.5	3	1615	-	38.0
SPA-80mm x 3	85.5	8	1210	-	25.0	SPA 100mm x 4	105.5	2	1615	-	38.0
SPA-85mm x 3	90.5	8	1210	-	25.0	SPA 106mm x 4	111.5	8	2012	-	32.0
SPA-90mm x 3	95.5	8	1610	-	25.0	SPA 112mm x 4	117.5	8	2012	-	32.0
SPA-95mm x 3	100.5	8	1610	-	25.0	SPA 118mm x 4	123.5	2	2012	-	32.0
SPA 100mm x 3	105.5	8	1610	-	25.0	SPA 125mm x 4	130.5	2	2012	-	32.0
SPA 106mm x 3	111.5	8	1610	-	25.0	SPA 132mm x 4	137.5	2	2517	-	45.0
SPA 112mm x 3	117.5	8	2012	-	32.0	SPA 140mm x 4	145.5	2	2517	-	45.0
SPA 118mm x 3	123.5	2	2012	-	32.0	SPA 150mm x 4	155.5	2	2517	-	45.0
SPA 125mm x 3	130.5	2	2012	-	32.0	SPA 160mm x 4	165.5	2	2517	-	45.0
SPA 132mm x 3	137.5	2	2012	-	32.0	SPA 170mm x 4	175.5	2	2517	-	45.0
SPA 140mm x 3	145.5	8	2517	-	45.0	SPA 180mm x 4	185.5	2	2517	-	45.0
SPA 150mm x 3	155.5	8	2517	-	45.0	SPA 190mm x 4	195.5	2	2517	-	45.0
SPA 160mm x 3	165.5	8	2517	-	45.0	SPA 200mm x 4	205.5	2	3020	-	51.0
SPA 170mm x 3	175.5	8	2517	-	45.0	SPA 224mm x 4	229.5	2	3020	-	51.0
SPA 180mm x 3	185.5	8	2517	-	45.0	SPA 236mm x 4	241.5	6	3020	147.0	51.0
SPA 190mm x 3	195.5	8	2517	-	45.0	SPA 250mm x 4	255.5	6	3020	159.0	51.0
SPA 200mm x 3	205.5	6	2517	123.0	45.0	SPA 280mm x 4	285.5	6	3020	159.0	51.0
SPA 224mm x 3	229.5	6	2517	124.0	45.0	SPA 315mm x 4	320.5	6	3020	159.0	51.0
SPA 236mm x 3	241.5	6	2517	120.0	45.0	SPA 355mm x 4	360.5	5	3020	159.0	51.0
SPA 250mm x 3	255.5	6	2517	124.0	45.0	SPA 400mm x 4	405.5	5	3020	159.0	51.0
SPA 280mm x 3	285.5	6	2517	124.0	45.0	SPA 500mm x 4	505.5	5	3020	159.0	51.0
SPA 315mm x 3	320.5	7	3020	159.0	51.0						
SPA 355mm x 3	360.5	4	3020	159.0	51.0						
SPA 400mm x 3	405.5	4	3020	159.0	51.0						
SPA 500mm x 3	505.5	4	3020	159.0	51.0						

P.D. = O.D. - 5.5mm



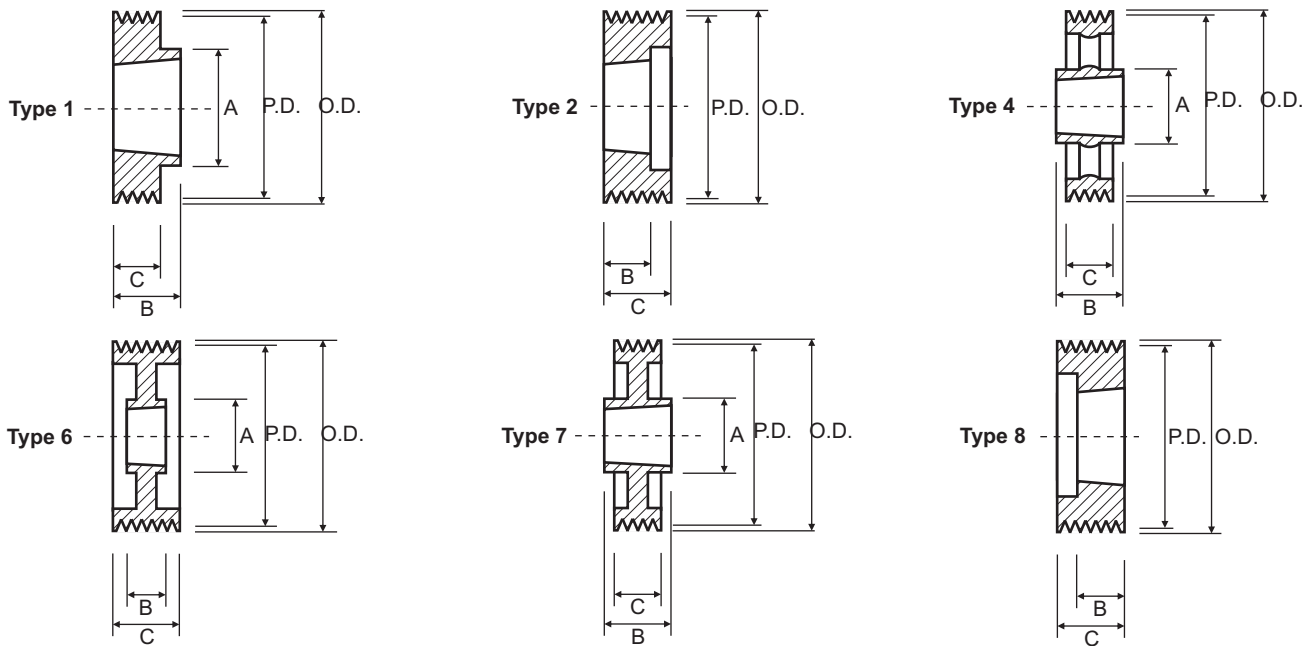
SPA Taper Bore V-Pulleys 5 Groove



5 Groove					
C = 80.0					
Part No.	O.D.	Type	Bush	A	B
SPA100mm x 5	105.5	2	1615	-	38.0
SPA106mm x 5	111.5	8	2012	-	32.0
SPA112mm x 5	117.5	8	2012	-	32.0
SPA118mm x 5	123.5	2	2012	-	32.0
SPA125mm x 5	130.5	3	2012	-	32.0
SPA132mm x 5	137.5	3	2517	-	45.0
SPA140mm x 5	145.5	3	2517	-	45.0
SPA150mm x 5	155.5	3	2517	-	45.0
SPA160mm x 5	165.5	3	2517	-	45.0
SPA170mm x 5	175.5	3	2517	-	45.0
SPA180mm x 5	185.5	3	3020	-	51.0
SPA190mm x 5	195.5	3	3020	-	51.0
SPA200mm x 5	205.5	3	3020	-	51.0
SPA224mm x 5	229.5	8	3020	-	51.0
SPA236mm x 5	241.5	6	3020	145.0	51.0
SPA250mm x 5	255.5	6	3020	159.0	51.0
SPA280mm x 5	285.5	7	3535	178.0	89.0
SPA315mm x 5	320.5	7	3535	178.0	89.0
SPA400mm x 5	405.5	4	3535	178.0	89.0
SPA500mm x 5	505.5	4	3535	178.0	89.0

P.D. = O.D. - 5.5mm

SPB Taper Bore V-Pulleys 1 & 2 Groove

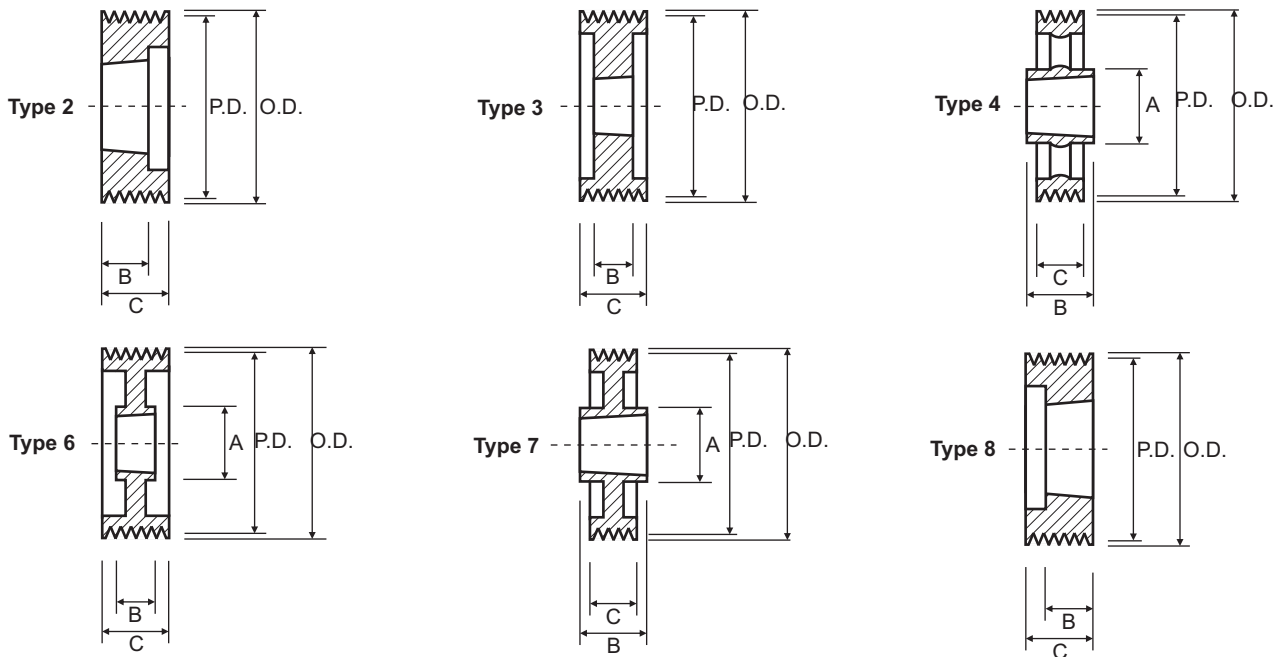


1 Groove						2 Groove					
Part No.	O.D.	Type	Bush	C = 25.0		Part No.	O.D.	Type	Bush	C = 44.0	
				A	B					A	B
SPB-80mm x 1	87.0	1	1108	-	22.2	SPB-80mm x 2	87.0	8	1108	-	22.2
SPB-85mm x 1	92.0	1	1108	-	22.2	SPB-85mm x 2	92.0	8	1108	-	22.2
SPB-90mm x 1	97.0	1	1210	-	25.0	SPB-90mm x 2	97.0	8	1108	-	22.2
SPB-95mm x 1	102.0	1	1210	-	25.0	SPB-95mm x 2	102.0	8	1210	-	25.0
SPB100mm x 1	107.0	1	1610	-	25.0	SPB100mm x 2	107.0	8	1610	-	25.0
SPB106mm x 1	113.0	1	1610	-	25.0	SPB106mm x 2	113.0	8	1610	-	25.0
SPB112mm x 1	119.0	1	1610	-	25.0	SPB112mm x 2	119.0	8	1610	-	25.0
SPB118mm x 1	125.0	1	1610	-	25.0	SPB118mm x 2	125.0	2	1610	-	25.0
SPB125mm x 1	132.0	1	1610	-	25.0	SPB125mm x 2	132.0	2	2012	-	32.0
SPB132mm x 1	139.0	1	1610	-	25.0	SPB132mm x 2	139.0	2	2012	-	32.0
SPB140mm x 1	147.0	1	1610	-	25.0	SPB140mm x 2	147.0	2	2012	-	32.0
SPB150mm x 1	157.0	6	1610	80.0	25.0	SPB150mm x 2	157.0	2	2012	-	32.0
SPB160mm x 1	167.0	6	1610	80.0	25.0	SPB160mm x 2	167.0	2	2012	-	32.0
SPB170mm x 1	177.0	6	1610	80.0	25.0	SPB170mm x 2	177.0	2	2012	-	32.0
SPB180mm x 1	187.0	6	1610	80.0	25.0	SPB180mm x 2	187.0	1	2517	117.0	45.0
SPB190mm x 1	197.0	7	2012	100.0	32.0	SPB190mm x 2	197.0	1	2517	117.0	45.0
SPB200mm x 1	207.0	7	2012	100.0	32.0	SPB200mm x 2	207.0	1	2517	117.0	45.0
SPB212mm x 1	219.0	7	2012	100.0	32.0	SPB212mm x 2	219.0	1	2517	117.0	45.0
SPB224mm x 1	231.0	7	2012	100.0	32.0	SPB224mm x 2	231.0	7	2517	117.0	45.0
SPB236mm x 1	243.0	7	2012	100.0	32.0	SPB236mm x 2	243.0	7	2517	117.0	45.0
SPB250mm x 1	257.0	7	2012	100.0	32.0	SPB250mm x 2	257.0	7	2517	117.0	45.0
SPB280mm x 1	287.0	4	2012	100.0	32.0	SPB280mm x 2	287.0	4	2517	117.0	45.0
SPB300mm x 1	307.0	4	2012	100.0	32.0	SPB300mm x 2	307.0	4	2517	117.0	45.0
SPB315mm x 1	322.0	4	2012	100.0	32.0	SPB315mm x 2	322.0	7	2517	117.0	45.0
						SPB355mm x 2	362.0	4	3020	144.0	51.0
						SPB400mm x 2	407.0	4	3020	144.0	51.0
						SPB450mm x 2	457.0	4	3020	144.0	51.0
						SPB500mm x 2	507.0	4	3020	144.0	51.0
						SPB560mm x 2	567.0	4	3020	144.0	76.0
						SPB630mm x 2	637.0	4	3020	144.0	76.0

P.D. = O.D. - 7mm



SPB Taper Bore V-Pulleys 3 & 4 Groove

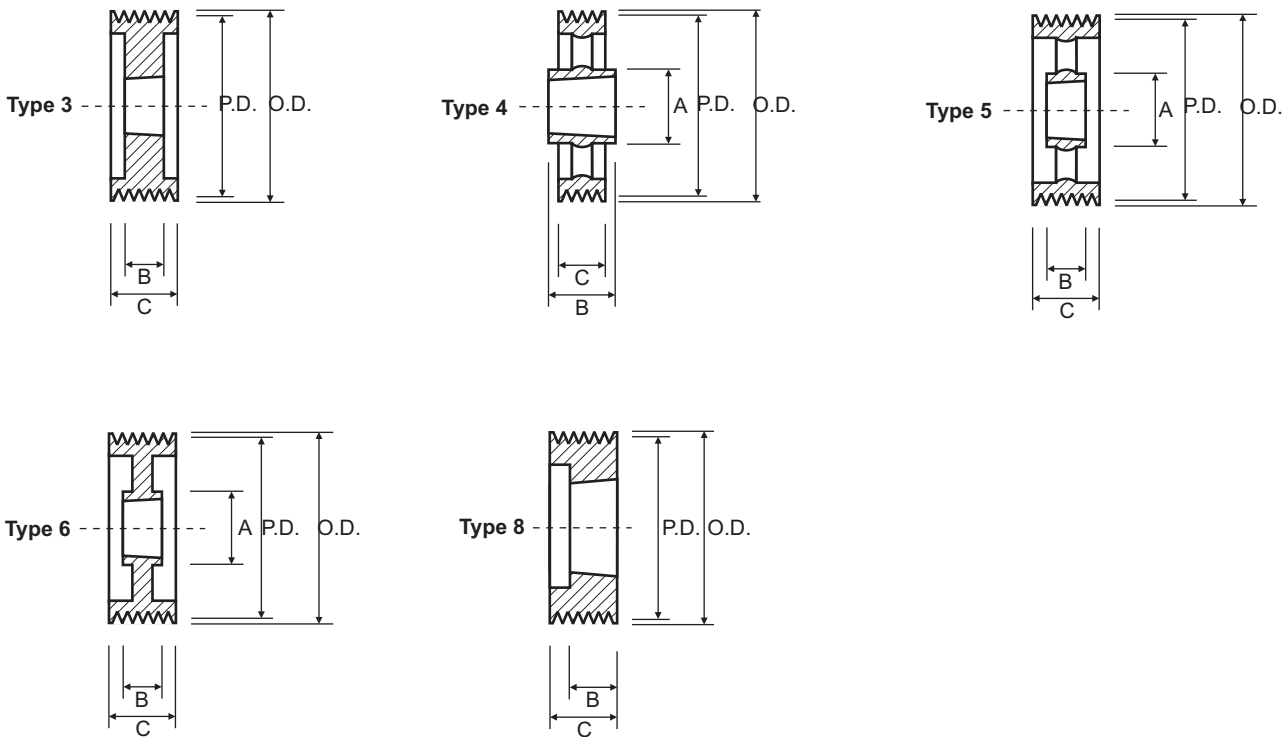


3 Groove						4 Groove					
C = 63.0						C = 82.0					
Part No.	O.D.	Type	Bush	A	B	Part No.	O.D.	Type	Bush	A	B
SPB-95mm x 3	102.0	8	1210	-	25.0	SPB125mm x 4	132.0	3	2012	-	32.0
SPB100mm x 3	107.0	8	1610	-	25.0	SPB132mm x 4	139.0	3	2012	-	32.0
SPB106mm x 3	113.0	8	1610	-	25.0	SPB140mm x 4	147.0	3	2517	-	45.0
SPB112mm x 3	119.0	8	1610	-	25.0	SPB150mm x 4	157.0	3	2517	-	45.0
SPB118mm x 3	125.0	2	1610	-	25.0	SPB160mm x 4	167.0	3	2517	-	45.0
SPB125mm x 3	132.0	2	2012	-	32.0	SPB170mm x 4	177.0	3	2517	-	45.0
SPB132mm x 3	139.0	2	2012	-	32.0	SPB180mm x 4	187.0	3	2517	-	45.0
SPB140mm x 3	147.0	2	2012	-	32.0	SPB190mm x 4	197.0	3	2517	-	45.0
SPB150mm x 3	157.0	2	2517	-	45.0	SPB200mm x 4	207.0	3	3020	-	51.0
SPB160mm x 3	167.0	2	2517	-	45.0	SPB212mm x 4	219.0	3	3020	-	51.0
SPB170mm x 3	177.0	2	2517	-	45.0	SPB224mm x 4	231.0	3	3020	-	51.0
SPB180mm x 3	187.0	2	2517	-	45.0	SPB236mm x 4	243.0	6	3020	-	51.0
SPB190mm x 3	197.0	2	2517	-	45.0	SPB250mm x 4	257.0	6	3020	144.0	51.0
SPB200mm x 3	207.0	6	2517	117.0	45.0	SPB280mm x 4	287.0	6	3020	144.0	51.0
SPB212mm x 3	219.0	6	2517	117.0	45.0	SPB300mm x 4	307.0	7	3535	144.0	51.0
SPB224mm x 3	231.0	6	2517	117.0	45.0	SPB315mm x 4	322.0	7	3535	187.0	89.0
SPB236mm x 3	243.0	6	2517	117.0	45.0	SPB355mm x 4	362.0	7	3535	187.0	89.0
SPB250mm x 3	257.0	6	3020	144.0	51.0	SPB400mm x 4	407.0	4	3535	187.0	89.0
SPB280mm x 3	287.0	6	3020	144.0	51.0	SPB450mm x 4	457.0	4	3535	187.0	89.0
SPB300mm x 3	307.0	6	3535	144.0	51.0	SPB500mm x 4	507.0	4	3535	187.0	89.0
SPB315mm x 3	322.0	6	3020	144.0	51.0	SPB560mm x 4	567.0	4	3535	187.0	89.0
SPB355mm x 3	362.0	5	3020	144.0	51.0	SPB630mm x 4	637.0	4	3535	187.0	89.0
SPB400mm x 3	407.0	4	3535	187.0	89.0	SPB800mm x 4	807.0	4	4040	216.0	102.0
SPB450mm x 3	457.0	4	3535	187.0	89.0	SPB1000mm x 4	1007.0	4	4040	216.0	102.0
SPB500mm x 3	507.0	4	3535	187.0	89.0	SPB1250mm x 4	1257.0	4	4545	242.0	114.0
SPB560mm x 3	567.0	4	3535	187.0	89.0						
SPB630mm x 3	637.0	4	3535	187.0	89.0						
SPB800mm x 3	807.0	4	3535	187.0	89.0						
SPB1000mm x 3	1007.0	4	4040	216.0	102.0						
SPB1250mm x 3	1257.0	4	4040	216.0	102.0						

P.D. = O.D. - 7mm



SPB Taper Bore V-Pulleys 5 & 6 Groove

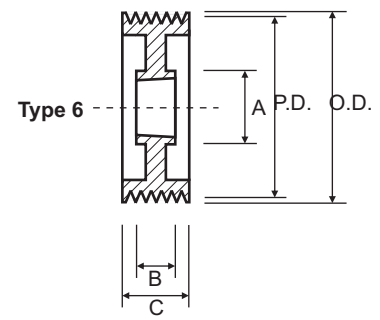
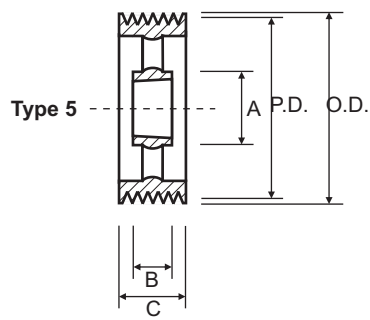
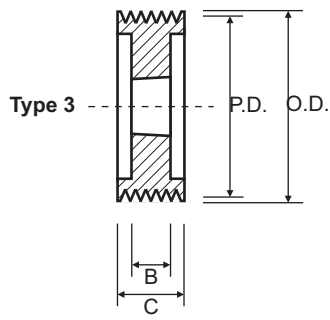


5 Groove						6 Groove					
Part No.	O.D.	Type	Bush	C = 101.0		Part No.	O.D.	Type	Bush	C = 120.0	
				A	B					A	B
SPB125mm x 5	132.0	8	2012	-	32.0	SPB140mm x 6	147.0	3	2517	-	45.0
SPB132mm x 5	139.0	8	2517	-	45.0	SPB150mm x 6	157.0	3	2517	-	45.0
SPB140mm x 5	147.0	3	2517	-	45.0	SPB160mm x 6	167.0	3	3020	-	51.0
SPB150mm x 5	157.0	3	2517	-	45.0	SPB170mm x 6	177.0	3	3020	-	51.0
SPB160mm x 5	167.0	3	2517	-	45.0	SPB180mm x 6	187.0	3	3020	-	51.0
SPB170mm x 5	177.0	3	3020	-	51.0	SPB190mm x 6	197.0	3	3020	-	51.0
SPB180mm x 5	187.0	3	3020	-	51.0	SPB200mm x 6	207.0	3	3020	-	51.0
SPB190mm x 5	197.0	3	3020	-	51.0	SPB212mm x 6	219.0	3	3535	-	89.0
SPB200mm x 5	207.0	3	3020	-	51.0	SPB224mm x 6	231.0	3	3535	-	89.0
SPB212mm x 5	219.0	3	3020	-	51.0	SPB236mm x 6	243.0	3	3535	-	89.0
SPB224mm x 5	231.0	3	3020	-	51.0	SPB250mm x 6	257.0	3	3535	-	89.0
SPB236mm x 5	243.0	3	3535	-	89.0	SPB280mm x 6	287.0	6	3535	187.0	89.0
SPB250mm x 5	257.0	3	3535	-	89.0	SPB300mm x 6	307.0	6	3535	187.0	89.0
SPB280mm x 5	287.0	6	3535	187.0	89.0	SPB315mm x 6	322.0	6	3535	187.0	89.0
SPB300mm x 5	307.0	6	3535	187.0	89.0	SPB355mm x 6	362.0	5	3535	187.0	89.0
SPB315mm x 5	322.0	6	3535	187.0	89.0	SPB400mm x 6	407.0	5	3535	187.0	89.0
SPB355mm x 5	362.0	5	3535	187.0	89.0	SPB450mm x 6	457.0	5	4040	216.0	102.0
SPB400mm x 5	407.0	5	3535	187.0	89.0	SPB500mm x 6	507.0	5	4040	216.0	102.0
SPB450mm x 5	457.0	5	3535	187.0	89.0	SPB560mm x 6	567.0	5	4040	216.0	102.0
SPB500mm x 5	507.0	5	3535	187.0	89.0	SPB630mm x 6	637.0	5	4040	216.0	102.0
SPB560mm x 5	567.0	4	4040	216.0	102.0	SPB800mm x 6	807.0	5	4545	242.0	114.0
SPB630mm x 5	637.0	4	4040	216.0	102.0	SPB1000mm x 6	1007.0	5	4545	242.0	114.0
SPB800mm x 5	807.0	4	4040	216.0	102.0	SPB1250mm x 6	1257.0	5	4545	242.0	114.0
SPB1000mm x 5	1007.0	4	4545	242.0	114.0						
SPB1250mm x 5	1257.0	4	4545	242.0	114.0						

P.D. = O.D. - 7mm



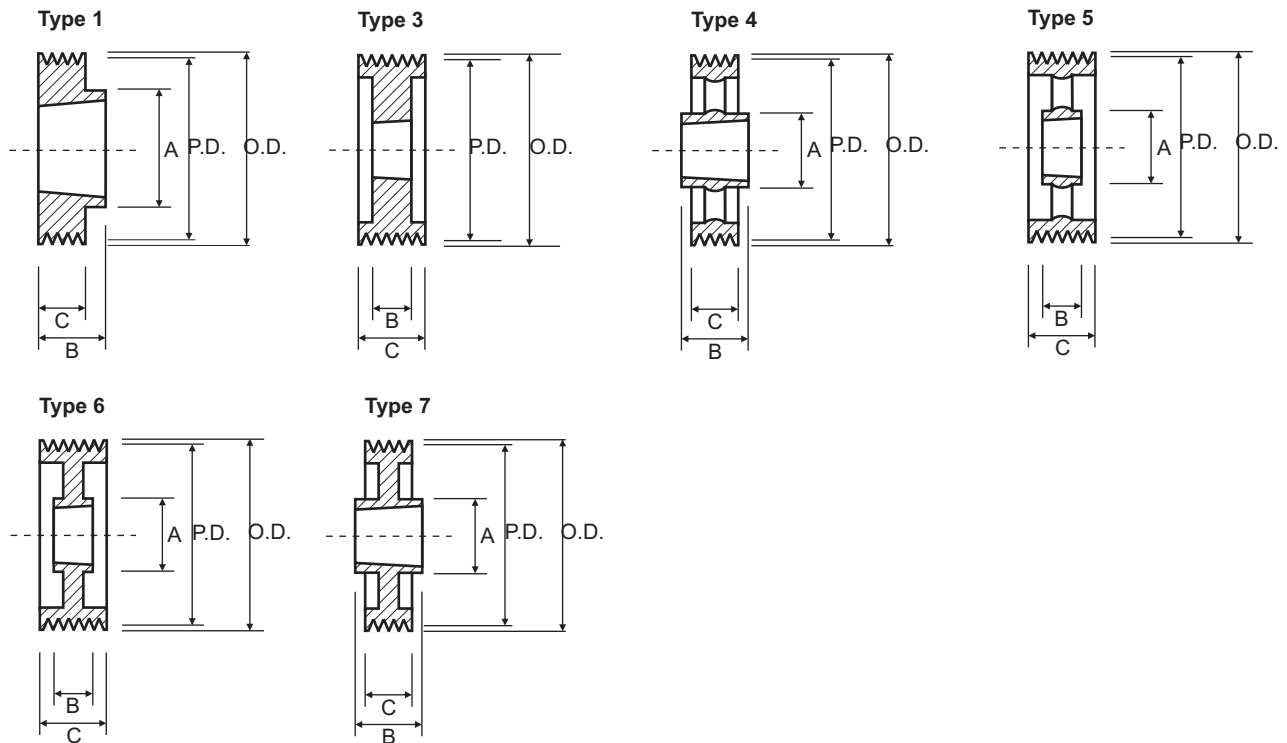
SPB Taper Bore V-Pulleys 8 Groove



8 Groove					
Part No.	O.D.	Type	Bush	C = 158.0	
				A	B
SPB180mm x 8	187.0	3	3030	-	76.0
SPB190mm x 8	197.0	3	3030	-	76.0
SPB200mm x 8	207.0	3	3535	-	89.0
SPB212mm x 8	219.0	3	3535	-	89.0
SPB224mm x 8	231.0	3	3535	-	89.0
SPB236mm x 8	243.0	3	3535	-	89.0
SPB250mm x 8	257.0	3	3535	-	89.0
SPB280mm x 8	287.0	6	3535	187.0	89.0
SPB300mm x 8	307.0	6	3535	187.0	89.0
SPB315mm x 8	322.0	6	3535	187.0	89.0
SPB355mm x 8	362.0	6	3535	187.0	89.0
SPB400mm x 8	407.0	5	4040	216.0	102.0
SPB450mm x 8	457.0	5	4040	216.0	102.0
SPB500mm x 8	507.0	5	4040	216.0	102.0
SPB560mm x 8	567.0	5	4545	242.0	114.0
SPB630mm x 8	637.0	5	4545	242.0	114.0
SPB800mm x 8	807.0	5	4545	242.0	114.0
SPB1000mm x 8	1007.0	5	5050	267.0	127.0
SPB1250mm x 8	1257.0	5	5050	267.0	127.0

P.D. = O.D. - 7mm

SPC Taper Bore V-Pulleys 3 & 4 Groove

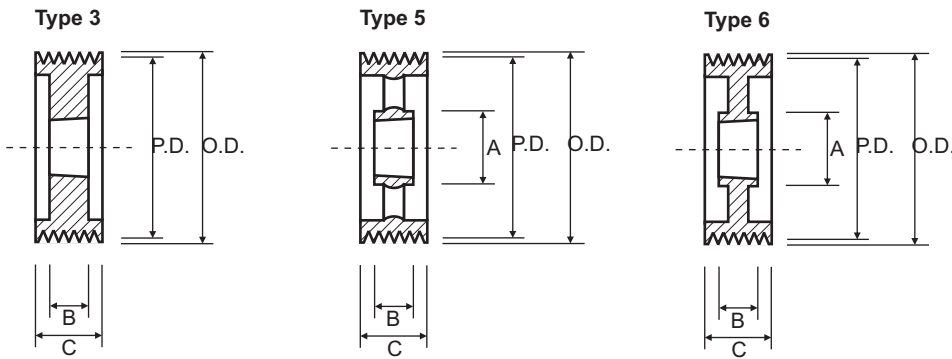


3 Groove						4 Groove					
Part No.	O.D.	Type	Bush	C = 85.0		Part No.	O.D.	Type	Bush	C = 111.0	
				A	B					A	B
SPC200mm x 3	209.6	3	2517	-	45.0	SPC200mm x 4	209.6	3	3020	-	51.0
SPC212mm x 3	221.6	3	3020	-	51.0	SPC212mm x 4	221.6	3	3020	-	51.0
SPC224mm x 3	233.6	3	3020	-	51.0	SPC224mm x 4	233.6	3	3535	-	89.0
SPC236mm x 3	245.6	3	3020	-	51.0	SPC236mm x 4	245.6	3	3535	-	89.0
SPC250mm x 3	259.6	3	3020	-	51.0	SPC250mm x 4	259.6	3	3535	-	89.0
SPC265mm x 3	274.6	1	3535	179.0	89.0	SPC265mm x 4	274.6	3	3535	-	89.0
SPC280mm x 3	289.6	1	3535	187.0	89.0	SPC280mm x 4	289.6	3	3535	-	89.0
SPC300mm x 3	309.6	7	3535	187.0	89.0	SPC300mm x 4	309.6	6	3535	187.0	89.0
SPC315mm x 3	324.6	7	3535	187.0	89.0	SPC315mm x 4	324.6	6	3535	187.0	89.0
SPC335mm x 3	344.6	7	3535	187.0	89.0	SPC335mm x 4	344.6	6	3535	187.0	89.0
SPC355mm x 3	364.6	7	3535	187.0	89.0	SPC355mm x 4	364.6	6	3535	187.0	89.0
SPC375mm x 3	384.6	7	3535	187.0	89.0	SPC375mm x 4	384.6	6	3535	187.0	89.0
SPC400mm x 3	409.6	4	3535	187.0	89.0	SPC400mm x 4	409.6	5	3535	187.0	89.0
SPC425mm x 3	434.6	4	3535	187.0	89.0	SPC425mm x 4	434.6	5	3535	187.0	89.0
SPC450mm x 3	459.6	4	3535	187.0	89.0	SPC450mm x 4	459.6	5	3535	187.0	89.0
SPC475mm x 3	484.6	4	3535	187.0	89.0	SPC475mm x 4	484.6	5	3535	187.0	89.0
SPC500mm x 3	509.6	4	3535	187.0	89.0	SPC500mm x 4	509.6	5	3535	187.0	89.0
SPC530mm x 3	539.6	4	3535	187.0	89.0	SPC530mm x 4	539.6	5	3535	187.0	89.0
SPC560mm x 3	569.6	4	3535	187.0	89.0	SPC560mm x 4	569.6	5	4040	216.0	102.0
SPC630mm x 3	639.6	4	4040	216.0	102.0	SPC630mm x 4	639.6	4	4545	242.0	114.0
SPC800mm x 3	809.6	4	4545	242.0	114.0	SPC800mm x 4	809.6	4	5050	267.0	127.0
SPC1000mm x 3	1009.6	4	5050	267.0	127.0	SPC1000mm x 4	1009.6	4	5050	267.0	127.0
SPC1250mm x 3	1259.6	4	5050	267.0	127.0	SPC1250mm x 4	1259.6	4	5050	267.0	127.0

P.D. = O.D. - 9.6mm



SPC Taper Bore V-Pulleys 5 & 6 Groove

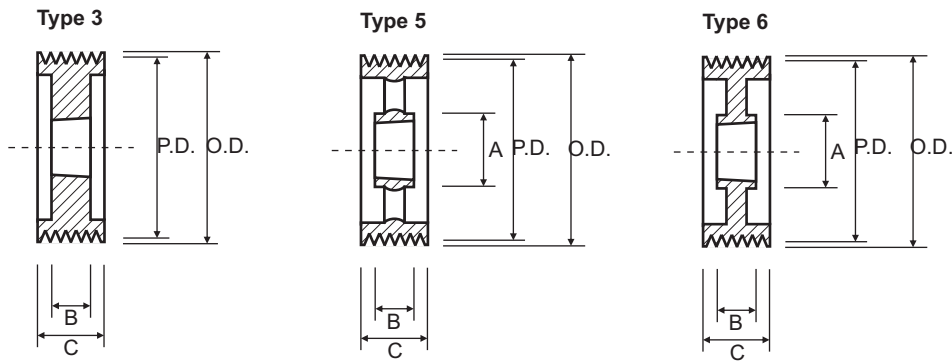


5 Groove						6 Groove					
Part No.	O.D.	Type	Bush	C = 136.0		Part No.	O.D.	Type	Bush	C = 162.0	
				A	B					A	B
SPC200mm x 5	209.6	3	3535	-	89.0	SPC200mm x 6	209.6	3	3535	-	89.0
SPC212mm x 5	221.6	3	3535	-	89.0	SPC212mm x 6	221.6	3	3535	-	89.0
SPC224mm x 5	233.6	3	3535	-	89.0	SPC224mm x 6	233.6	3	3535	-	89.0
SPC236mm x 5	245.6	3	3535	-	89.0	SPC236mm x 6	245.6	3	3535	-	89.0
SPC250mm x 5	259.6	3	3535	-	89.0	SPC250mm x 6	259.6	3	3535	-	89.0
SPC265mm x 5	274.6	3	3535	-	89.0	SPC265mm x 6	274.6	3	3535	-	89.0
SPC280mm x 5	289.6	3	3535	-	89.0	SPC280mm x 6	289.6	3	3535	-	89.0
SPC300mm x 5	309.6	6	3535	187.0	89.0	SPC300mm x 6	309.6	6	3535	187.0	89.0
SPC315mm x 5	324.6	6	3535	187.0	89.0	SPC315mm x 6	324.6	6	3535	187.0	89.0
SPC335mm x 5	344.6	6	3535	187.0	89.0	SPC335mm x 6	344.6	6	3535	187.0	89.0
SPC355mm x 5	364.6	6	3535	187.0	89.0	SPC355mm x 6	364.6	6	3535	187.0	89.0
SPC375mm x 5	384.6	6	3535	187.0	89.0	SPC375mm x 6	384.6	6	4040	216.0	102.0
SPC400mm x 5	409.6	5	3535	187.0	89.0	SPC400mm x 6	409.6	6	4040	216.0	102.0
SPC425mm x 5	434.6	5	4040	216.0	102.0	SPC425mm x 6	434.6	6	4545	242.0	114.0
SPC450mm x 5	459.6	5	4040	216.0	102.0	SPC450mm x 6	459.6	6	4545	242.0	114.0
SPC475mm x 5	484.6	5	4040	216.0	102.0	SPC475mm x 6	484.6	6	4545	242.0	114.0
SPC500mm x 5	509.6	5	4040	216.0	102.0	SPC500mm x 6	509.6	5	4545	242.0	114.0
SPC530mm x 5	539.6	5	4040	216.0	102.0	SPC530mm x 6	539.6	5	4545	242.0	114.0
SPC560mm x 5	569.6	5	4545	242.0	114.0	SPC560mm x 6	569.6	5	5050	267.0	127.0
SPC630mm x 5	639.6	5	5050	267.0	127.0	SPC630mm x 6	639.6	5	5050	267.0	127.0
SPC800mm x 5	809.6	5	5050	267.0	127.0	SPC800mm x 6	809.6	5	5050	267.0	127.0
SPC1000mm x 5	1009.6	5	5050	267.0	127.0	SPC1000mm x 6	1009.6	5	5050	267.0	127.0
SPC1250mm x 5	1259.6	5	5050	267.0	127.0	SPC1250mm x 6	1259.6	5	5050	267.0	127.0

P.D. = O.D. - 9.6mm



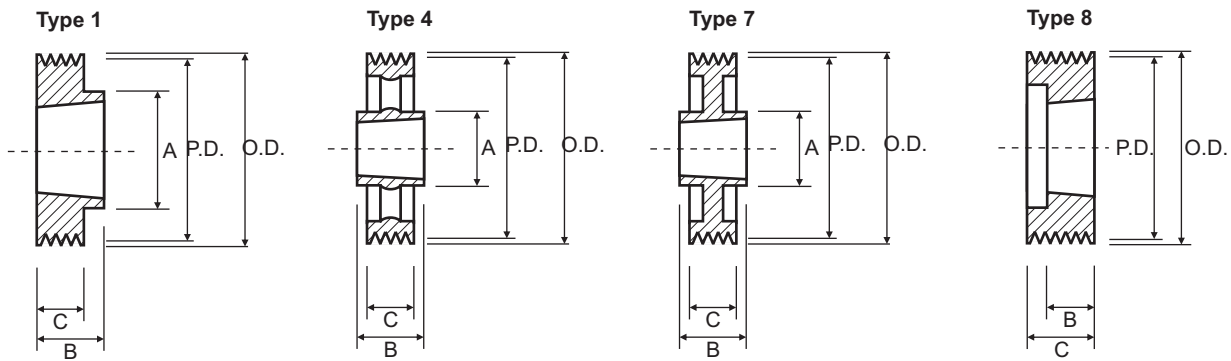
SPC Taper Bore V-Pulleys 8 Grooves



8 Groove					
C = 213.0					
Part No.	O.D.	Type	Bush	A	B
SPC212mm x 8	221.6	3	3535	-	89.0
SPC224mm x 8	233.6	3	3535	-	89.0
SPC236mm x 8	245.6	3	3535	-	89.0
SPC250mm x 8	259.6	3	3535	-	89.0
SPC265mm x 8	274.6	3	3535	-	89.0
SPC280mm x 8	289.6	3	3535	-	89.0
SPC300mm x 8	309.6	6	4040	216.0	102.0
SPC315mm x 8	324.6	6	4040	216.0	102.0
SPC335mm x 8	344.6	6	4040	216.0	102.0
SPC355mm x 8	364.6	6	4040	216.0	102.0
SPC375mm x 8	384.6	6	4545	242.0	114.0
SPC400mm x 8	409.6	6	4545	242.0	114.0
SPC425mm x 8	434.6	6	5050	267.0	127.0
SPC450mm x 8	459.6	6	5050	267.0	127.0
SPC475mm x 8	484.6	6	5050	267.0	127.0
SPC500mm x 8	509.6	6	5050	267.0	127.0
SPC530mm x 8	539.6	6	5050	267.0	127.0
SPC560mm x 8	569.6	5	5050	267.0	127.0
SPC630mm x 8	639.6	5	5050	267.0	127.0
SPC800mm x 8	809.6	5	5050	267.0	127.0
SPC1000mm x 8	1009.6	5	5050	267.0	127.0
SPC1250mm x 8	1259.6	5	5050	267.0	127.0

P.D. = O.D. - 9.6mm

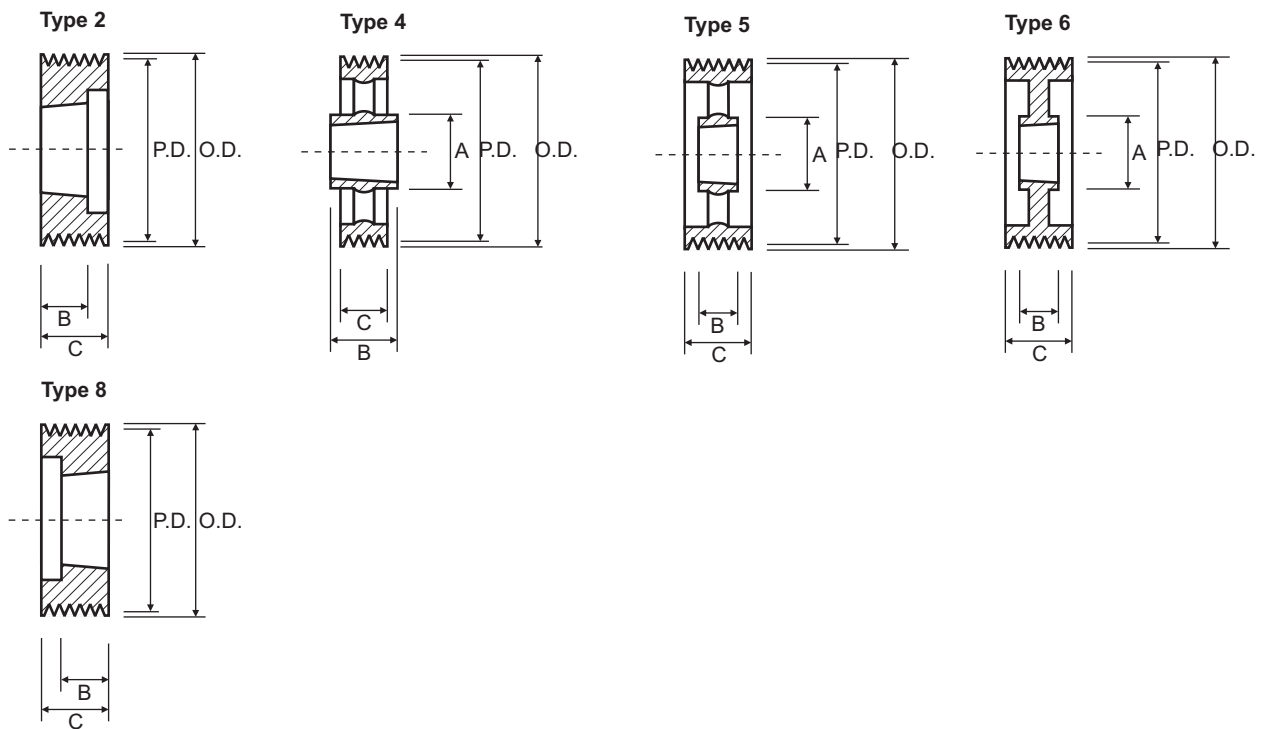
SPZ Taper Bore V-Pulleys 1 & 2 Groove



1 Groove						2 Groove					
Part No.	O.D.	Type	Bush	C = 16.0		Part No.	O.D.	Type	Bush	C = 28.0	
				A	B					A	B
SPZ-63mm x 1	67.0	1	1108	56.0	22.0	SPZ-63mm x 2	67.0	8	1108	-	22.0
SPZ-67mm x 1	71.0	1	1108	60.0	22.0	SPZ-67mm x 2	71.0	8	1108	-	22.0
SPZ-71mm x 1	75.0	1	1108	60.0	22.0	SPZ-71mm x 2	75.0	8	1108	-	22.0
SPZ-75mm x 1	79.0	1	1108	60.0	22.0	SPZ-75mm x 2	79.0	8	1210	-	25.0
SPZ-80mm x 1	84.0	1	1210	75.0	25.0	SPZ-80mm x 2	84.0	8	1210	-	25.0
SPZ-85mm x 1	89.0	1	1210	80.0	25.0	SPZ-85mm x 2	89.0	8	1610	-	25.0
SPZ-90mm x 1	94.0	1	1210	80.0	25.0	SPZ-90mm x 2	94.0	8	1610	-	25.0
SPZ-95mm x 1	99.0	1	1210	85.0	25.0	SPZ-95mm x 2	99.0	8	1610	-	25.0
SPZ100mm x 1	104.0	1	1210	85.0	25.0	SPZ100mm x 2	104.0	8	1610	-	25.0
SPZ106mm x 1	110.0	1	1610	92.0	25.0	SPZ106mm x 2	110.0	8	1610	-	25.0
SPZ112mm x 1	116.0	1	1610	92.0	25.0	SPZ112mm x 2	116.0	8	1610	-	25.0
SPZ118mm x 1	122.0	1	1610	92.0	25.0	SPZ118mm x 2	122.0	8	1610	-	25.0
SPZ125mm x 1	129.0	1	1610	92.0	25.0	SPZ125mm x 2	129.0	8	1610	-	25.0
SPZ132mm x 1	136.0	1	1610	92.0	25.0	SPZ132mm x 2	136.0	8	1610	-	25.0
SPZ140mm x 1	144.0	1	1610	92.0	25.0	SPZ140mm x 2	144.0	8	1610	-	25.0
SPZ150mm x 1	154.0	1	1610	92.0	25.0	SPZ150mm x 2	154.0	1	2012	112.0	32.0
SPZ160mm x 1	164.0	1	1610	92.0	25.0	SPZ160mm x 2	164.0	1	2012	112.0	32.0
SPZ180mm x 1	184.0	1	1610	92.0	25.0	SPZ180mm x 2	184.0	1	2012	112.0	32.0
SPZ200mm x 1	204.0	7	2012	112.0	32.0	SPZ200mm x 2	204.0	7	2012	112.0	32.0
SPZ224mm x 1	228.0	7	2012	112.0	32.0	SPZ224mm x 2	228.0	7	2012	112.0	32.0
SPZ250mm x 1	254.0	4	2012	112.0	32.0	SPZ250mm x 2	254.0	4	2012	112.0	32.0
SPZ280mm x 1	284.0	4	2012	112.0	32.0	SPZ280mm x 2	284.0	4	2012	112.0	32.0
SPZ315mm x 1	319.0	4	2012	112.0	32.0	SPZ315mm x 2	319.0	4	2012	112.0	32.0
SPZ355mm x 1	359.0	4	2012	112.0	32.0	SPZ355mm x 2	359.0	4	2012	112.0	32.0

P.D. = O.D. - 4mm

SPZ Taper Bore V-Pulleys 3 & 4 Groove



3 Groove						4 Groove					
Part No.	O.D.	Type	Bush	C = 40.0		Part No.	O.D.	Type	Bush	C = 52.0	
				A	B					A	B
SPZ-63mm x 3	67.0	8	1108	-	22.0	SPZ-80mm x 4	84.0	8	1210	-	25.0
SPZ-67mm x 3	71.0	8	1108	-	22.0	SPZ-85mm x 4	89.0	8	1610	-	25.0
SPZ-71mm x 3	75.0	8	1108	-	22.0	SPZ-90mm x 4	94.0	8	1610	-	25.0
SPZ-75mm x 3	79.0	8	1210	-	25.0	SPZ-95mm x 4	99.0	8	1610	-	25.0
SPZ-80mm x 3	84.0	8	1210	-	25.0	SPZ100mm x 4	104.0	8	1610	-	25.0
SPZ-85mm x 3	89.0	8	1610	-	25.0	SPZ106mm x 4	110.0	8	1610	-	25.0
SPZ-90mm x 3	94.0	8	1610	-	25.0	SPZ112mm x 4	116.0	8	2012	-	32.0
SPZ-95mm x 3	99.0	8	1610	-	25.0	SPZ118mm x 4	122.0	8	2012	-	32.0
SPZ100mm x 3	104.0	8	1610	-	25.0	SPZ125mm x 4	129.0	2	2012	-	32.0
SPZ106mm x 3	110.0	8	1610	-	25.0	SPZ132mm x 4	136.0	2	2012	-	32.0
SPZ112mm x 3	116.0	8	2012	-	32.0	SPZ140mm x 4	144.0	2	2012	-	32.0
SPZ118mm x 3	122.0	8	2012	-	32.0	SPZ150mm x 4	154.0	2	2517	-	45.0
SPZ125mm x 3	129.0	2	2012	-	32.0	SPZ160mm x 4	164.0	2	2517	-	45.0
SPZ132mm x 3	136.0	2	2012	-	32.0	SPZ180mm x 4	184.0	2	2517	-	45.0
SPZ140mm x 3	144.0	2	2012	-	32.0	SPZ200mm x 4	204.0	6	2517	124.0	45.0
SPZ150mm x 3	154.0	2	2012	-	32.0	SPZ224mm x 4	228.0	6	2517	124.0	45.0
SPZ160mm x 3	164.0	2	2012	-	32.0	SPZ250mm x 4	254.0	5	2517	124.0	45.0
SPZ180mm x 3	184.0	2	2012	-	32.0	SPZ280mm x 4	284.0	5	2517	124.0	45.0
SPZ200mm x 3	204.0	6	2012	112.0	32.0	SPZ315mm x 4	319.0	5	2517	124.0	45.0
SPZ224mm x 3	228.0	6	2012	112.0	32.0	SPZ355mm x 4	359.0	5	2517	124.0	45.0
SPZ250mm x 3	254.0	5	2012	112.0	32.0						
SPZ280mm x 3	284.0	4	2517	124.0	45.0						
SPZ315mm x 3	319.0	4	2517	124.0	45.0						
SPZ355mm x 3	359.0	4	2517	124.0	45.0						

P.D. = O.D. - 4mm



Nu-T-Link & Super T-Link Open End Vee Belting

Stock No.	Top Width	Suit Pulley
Z/10	10.0	SPZ
A/13	13.0	SPA
B/17	17.0	SPB
C/22	22.0	SPC
S/25	25.0	SPS
D/32	32.0	SPD
SPA	SPA	SPA
SPB	SPB	SPB

Nu-T-Link & Super-T-Link is well established throughout the world as the V-belt that successfully overcomes many of the problems previously associated with standard V-belts. By utilising a composite polyurethane and polyester material Nu-T-Link & Super-T-Link ensures an extended operational life over rubber based V-belts. Replacing V-belts can often be a complex and time consuming chore. In many cases the drive assembly often needs to be dismantled to gain open access to both pulleys. However with the unique and patented 'T' link construction, the belt can be joined without dismantling the machine.



RED-GO Hollow Round Belting

Stock No.	Belt Dia.
REDGO05	5.0
REDGO06	6.0
REDGO08	8.0
REDGO10	10.0
REDGO13	13.0

Red-Go Polyurethane belting is ideal for conveying, live rollers and many other drives. It can be made up to any length and is quickly cut to length and installed on the job requiring no special tools. Available in 5 different sizes 5mm, 6mm, 8mm, 10mm & 13mm

